

# 2/4 Megapixel H.265 IR Mini Dome Network Camera



MS-C2982-PB/MS-C4482-PB

**DATASHEET**

## KEY FEATURES

- ▶ **H.265** (50% reduction in bandwidth, storage and bit rate compared with H.264.)
- ▶ **Advanced Functions** (Boasting to support various advanced functions such as HLC, Defog, ROI.)
- ▶ **Built-in Microphone** (Support audio function to hear what is happening in front of the camera.)
- ▶ **SIP** (Session Initiation Protocol. Providing audio/alarm/intercom and video streaming for mobile phones and video phones.)
- ▶ **3-Axis Mechanical Design** (Featuring 3-axis mechanical design for fast and easy adjustment of the camera's viewing angle.)
- ▶ **128G** (Supporting ultra-large external Micro SD/SDHC/SDXC storage up to 128G.)

### 0.002Lux Ultra Low-light

The starlight camera is able to deliver high detailed color images even in low light environment reaching 0.002Lux(Color) or 0Lux(B/W), and near infrared light environments without any supplementary lighting.

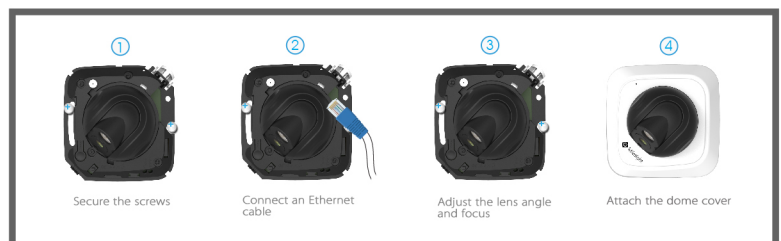


### 140dB Super WDR

Milesight's sensor-based WDR technology allows the camera to record greater scene details with true color reproduction even under the extreme back light and high contrast conditions. The ratio of the brightest light signal values divided the darkest light signal values is up to 140dB.

### Easy Installation & Adjustment

With a built-in RJ45 port, PoE functionality and 3-axis mechanical design, the installation steps of Milesight IR Mini Dome Camera are as easy as ABC.



# H.265 IR Mini Dome Network Camera



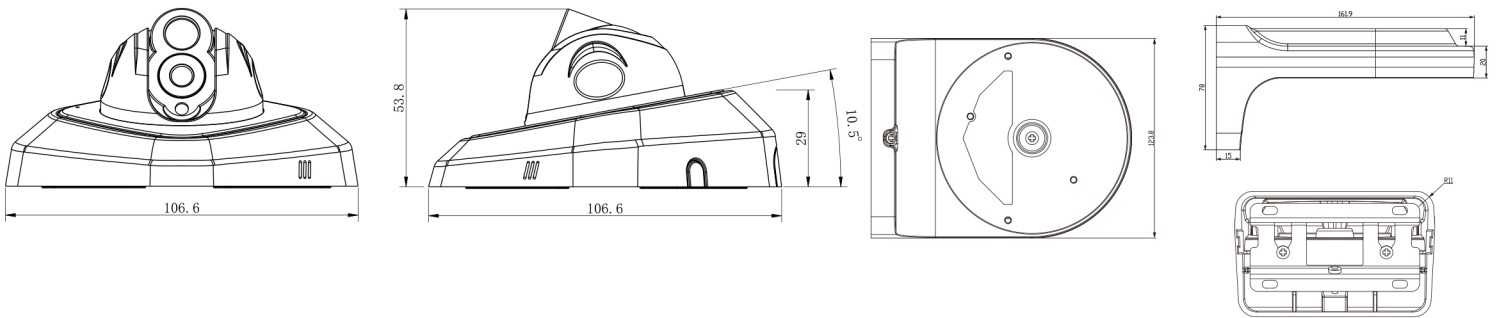
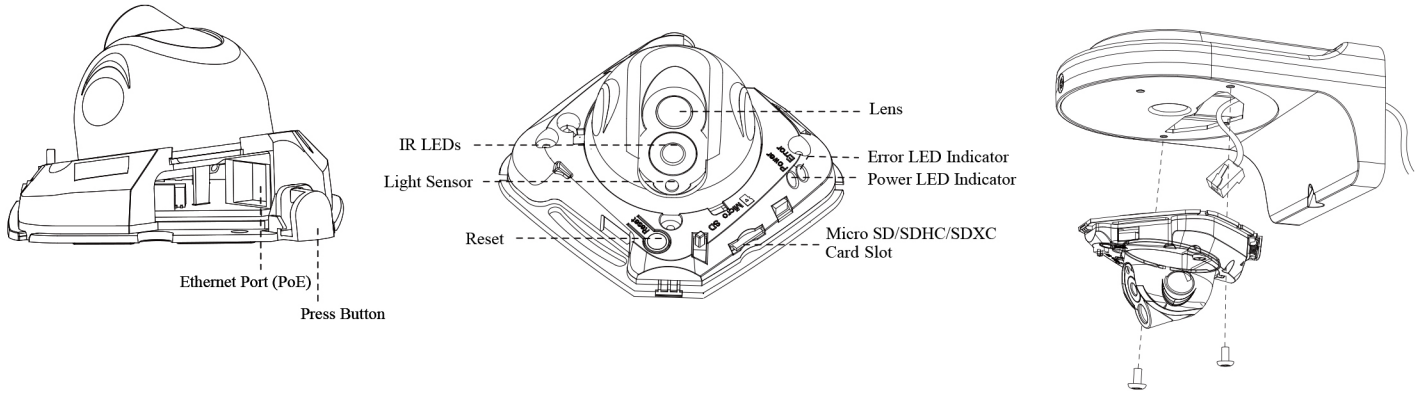
	Model	MS-C2982-PB (2MP)	MS-C4482-PB (4MP)
<b>Camera</b>	Image Sensor	1/2.8" Progressive Scan CMOS	1/3" Progressive Scan CMOS
	Min. Illumination	Color: 0.002Lux@F1.4 B/W: 0Lux with IR on	Color: 0.008Lux@F1.4 B/W: 0Lux with IR on
	WDR	Super WDR up to 140dB	Super WDR up to 120dB
	Lens	3.6mm/2.8mm/6mm @F1.6	
	Mount	M12	
	Field of View	H93.6°(3.6mm)	H85.2°(3.6mm)
	Shutter Time	1/100000s~1/5s	
	IR Distance	Up to 15m	
	Day&Night	ICR Filter Auto Switch	
<b>Video</b>	Max Image Resolution	1920×1080	2592×1520
	Primary Stream	30fps@(1920×1080, 1280×960, 1280×720, 704×576)	20fps@(2592×1520), 30fps@(2304×1296, 1920×1080, 1280×960, 1280×720, 704×576)
	Secondary Stream	30fps@(704×576, 640×480, 640×360, 352×288, 320×240, 320×192, 320×176 )	
	Tertiary Stream	30fps@(1920×1080, 1280×720, 704×576, 640×480, 640×360, 320×240, 320×192, 320×176 )	
	Video Compression	H.265(HEVC)/H.264/MJPEG	
	Video Bit Rate	16Kbps~16Mbps(CBR/VBR Adjustable)	
	Image Setting	Brightness/Contrast/Saturation/Sharpness	
<b>Network</b>	Ethernet	1*RJ45 10M/100M Ethernet Port	
	Network Storage	NAS(Support NFS, SMB/CIFS)	
	Protocol	IPv4/IPv6, UDP, RTP, RTSP, RTCP, HTTP, HTTPS, DNS, DDNS, DHCP, FTP, NTP, SMTP, SNMP, UPnP, SIP, PPPoE, VLAN	
<b>Audio</b>	Audio Streaming	Built-in Microphone	
	Audio Compression	G.711/AAC	
<b>System</b>	Storage	Support Micro SD/SDHC/SDXC Local Storage, up to 128G	
	Advanced Function	Motion Detection, Privacy Masking, Backlight Compensation, HLC, 3D-DNR, ROI	
	SIP/VoIP Support	Yes, Voice & Video-over-IP	
	Event Trigger	Motion Detection, Network Disconnection, Audio Trigger, etc.	
	Event Action	FTP Upload/ SMTP Upload/ SD Card Record/ SIP Phone	
	System Compatibility	ONVIF Profile S	
<b>General</b>	Working Temperature	-30℃~60℃	
	Working Humidity	0~90%(Non-condensing)	
	Power Supply	PoE	
	Power Consumption	3.5W MAX 5W MAX (With IR on)	4W MAX 5.5W MAX (With IR on)
	Weight	150g	
	Dimensions	106.6mmX106.6mmX53.8mm	
	Warranty	3/5 Years	

V7.01

# H.265 IR Mini Dome Network Camera



## Structure Diagrams



Units: mm

## Accessories Support

A01 Pole mount with stainless steel straps

Weight: 770g  
Dimensions: 170\*51.5\*152.6mm



A02 Corner bracket

Weight: 540g  
Dimensions: 170\*23.2\*205.3mm



A03 Corner bracket

Weight: 895g  
Dimensions: 170\*152.6\*76.3mm

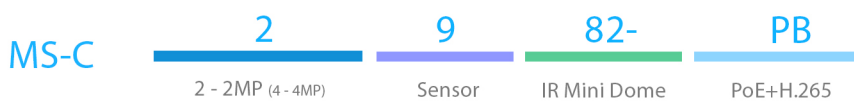


A71 Wall mount

Weight: 531g  
Dimensions: 162\*124\*78 mm



## Naming Convention



Distributed by:



53 Crownwood Road, Ormonde, Johannesburg, Gauteng,  
Tel: +2711 496 2300, 0861 FRANK, Fax: +2711 496 2610,  
Email: sales@frankstreet.co.za, www.frankstreet.co.za

Milesight Technology Co.,Ltd. | www.milesight.com

HEADQUARTERS  
Add: No.23 Wanghai Road, 2nd Software Park, Xiamen, China  
Tel: +86-592-5922772 Mail: sales@milesight.com

MILESIGHT USA  
Add: 7509 N.W. 36th Street, Miami, Florida 33166, USA  
Tel: +1-305-764-3474 Mail: sales@milesightusa.com

